



ECONO-FLEX® SECONDARY SEAL

The HMT ECONO-FLEX® Secondary Seal is one of the most economical and effective types of secondary seals available. Easily installed and maintained, the HMT's ECONO-FLEX Secondary Seal was designed under the guidance of the stringent gap specifications for secondary seals from governmental regulatory agencies throughout the U.S., including Northern California's BAAQMD and its "zero-gap" requirements.

For a secondary seal that is custom designed to fit specific tank round anomalies, has exceptional gap sealing ability, allows for in-service installation and has a long service life, choose the ECONO-FLEX Secondary Seal.

Key benefits:

No gapping – engineered with custom-hardened stainless steel to ensure tension will hold up year after year and seals won't gap, maintaining a tight seal

Long life – key components made from custom-hardened stainless steel, ensuring spring longevity and long-lasting seal performance

Maintenance-free operation – workhorse design and materials

In-service install – no hot work required

Custom designed – each tank has its own variations in roundness and verticality, HMT custom designs every seal to ensure an excellent fit with no gaps



Key design features:

- Custom-hardened steel will not fatigue
- Continuous fabric vapor barrier under plates
- Excellent flexibility, molds well to shell irregularities
- Premium fabrics for long-life and durability of vapor barrier
- Bolt-on design allows for in-service installation
- Meets Northern California's BAAQMD stringent "zero-gap" requirements
- Narrow 13" wide, independent support plates allow for improved sealing to all tank radii
- Completely bolted assembly eliminates all rivets which allows for easier and safer tank maintenance

DESIGN DETAILS

THE HMT ECONO-FLEX® SEAL DESIGN

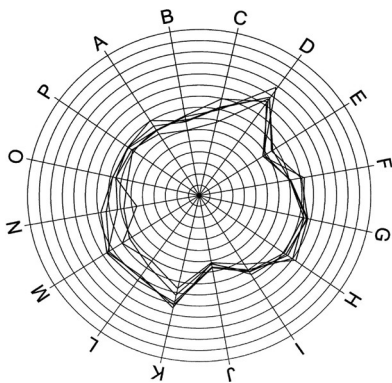
HMT's ECONO-FLEX seal has unparalleled durability compared to other secondary seals.

Continuous Support-Plate and Fabric System

The ECONO-FLEX utilizes a system of overlapping steel plates which provide the pressure to maintain zero gap. The ECONO-FLEX does not rely on gaskets between these plates (which can quickly wear out and fail); instead, the vapor barrier is provided by a continuous fabric underneath the plates.

Each Seal Tailored to the Tank

Each tank has its own variations in roundness and verticality. To ensure a zero-gap fit, each ECONO-FLEX seal is custom-designed. We don't use one size-fits-all parts. Varying length plates may be used for varying rim spaces within a given tank.



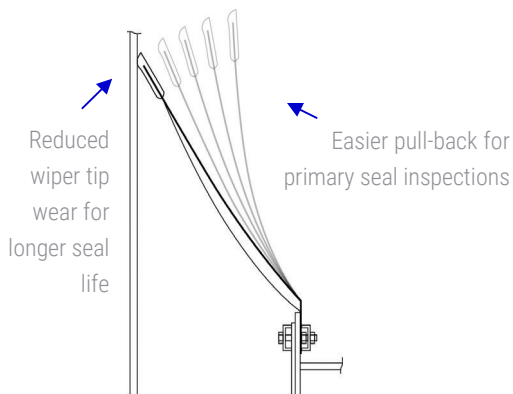
Handles a wide range of products and service conditions

A highly effective seal due to its wide range of vapor barrier fabrics, combined with a Buna/Nitrile PVC blend tip. Designed to be installed with the tank in service and engineered to adapt to virtually every type of external floating roof design. Accommodates wide variations in annular rim space and is compatible with various types of primary seals and rim connections. The ECONO-FLEX combines economy with durability.

OTHER KEY FEATURES AND BENEFITS

Custom-hardened stainless steel

A significant benefit to HMT's custom-hardened steel is there is less pressure required to maintain the tip contact with the shell. This translates into two major benefits for our customers; seal inspections are easier due to ease of pull-back when inspecting and reduced wiper tip wear which results in a longer seal life.



Industry-leading fabrics

The other area where HMT outperforms the rest is in the quality and durability of our fabrics. We offer a variety of fabric choices, depending on your service requirements. Our standard PTFE fabrics are laminated, which are unsurpassed in terms of durability, impermeability and service life. HMT's fabrics will wear extremely well in even the most aggressive services.

Other benefits and options

- Excellent water shedding capability
- HMT fabrics are conductive for static dissipation
- Available in galvanized or stainless steel
- Wide range of metallic and non-metallic materials available for various service conditions
- Foam flow openings available
- Seals will return to tank without special attention if tank is overfilled

ABOUT HMT

HMT is the global leader in aboveground storage tank solutions. HMT provides advanced solutions to reduce emissions, optimize tank capacity, reduce stranded inventory and engineer a tank system that exceeds safety standards and extends maintenance intervals.

HMT's full suite of tank products includes: Internal/External Seal Systems - Internal/External Floating Roofs - Drain and Floating Suction Systems - Aluminum Domes - Emissions Reduction Devices.

HMT's quality services include: Tank Repair & Maintenance - Floating Roof & Seal Repair/Replacement - Installation Services - Fabrication Services - Project Management/Turnkey - Inspection, Calibration, Verticality & Roundness Studies - New Tank Construction - Engineering Services.

HMT LLC | 19241 David Memorial Dr., Suite 150, The Woodlands, Texas 77385
Ph: +1.281.681.7000 | Fax: +1.281.419.7689 | Locations worldwide
www.hmttank.com

