



Protecting your world, one tank at a time®

SEAL KING® SECONDARY SEAL



The SEAL KING® low-profile secondary seal was specifically designed to give storage tank owners the ability to maximize tank working capacity. With its extremely low profile, the SEAL KING® increases the working capacity of a floating roof tank, allowing tank owners to increase competitiveness and profitability. The SEAL KING® secondary seal has unsurpassed vapor sealing ability and exceptional water shedding capability.

Key benefits:

The SEAL KING® secondary seal increases working capacity without sacrificing on functionality or durability. Here's how:

Low Profile — increases storage tank capacity by increasing the maximum roof height

No gapping — engineered with custom-hardened stainless steel support arms which maintain constant continuous sealing pressure on the tank shell

Long life — key components made from custom-hardened stainless steel, ensuring spring longevity and long-lasting seal performance

Maintenance-free operation — straight forward design, no complicated components to adjust

Easy fabric inspection — fabric on the outside for easy visual inspection

Key design features:

- Excellent water shedding ability
- Abrasion-resistant wiper tip
- Excellent flexibility, molds well to shell irregularities
- Low-profile design also allows shorter (and more economical) foam dam
- Premium fabrics for long-life and durability of vapor barrier
- Pre-punched fabric allows for rapid installation
- Materials are compatible with products normally stored in floating roof tanks

SEAL KING® ESTIMATED CAPACITY GAINS

HORIZONTAL Rim Mount

				BARRELS SAVED PER TURNOVER						
Design Rim Space	Typ. Height Secondary	SEAL KING Height *	Height Difference	100' Diameter	120' Diameter	150' Diameter	180' Diameter	200' Diameter	250' Diameter	300' Diameter
8"	20"	12.75"	7.25"	845	1,217	1,902	2,738	3,381	5,282	7,606
9"	22"	12.25"	9.75"	1,137	1,637	2,557	3,682	4,546	7,104	10,229
10"	23"	13.75"	9.25"	1,078	1,553	2,426	3,494	4,313	6,739	9,705
11"	24"	13.25"	10.75"	1,253	1,805	2,820	4,060	5,013	7,832	11,278
12"	25"	12.75"	12.25"	1,428	2,056	3,213	4,627	5,712	8,925	12,852
13"	26"	12"	14"	1,632	2,350	3,672	5,288	6,528	10,200	14,688

* With Standard Horizontal Rim Connection

VERTICAL Rim Mount

				BARRELS SAVED PER TURNOVER						
Design Rim Space	Typ. Height Secondary	SEAL KING Height **	Height Difference	100' Diameter	120' Diameter	150' Diameter	180' Diameter	200' Diameter	250' Diameter	300' Diameter
8"	20"	14"	6"	699	1,007	1,574	2,266	2,798	4,371	6,295
9"	22"	13.625"	8.375"	976	1,406	2,197	3,163	3,905	6,102	8,787
10"	23"	13.25"	9.75"	1,137	1,637	2,557	3,682	4,546	7,104	10,229
11"	24"	12.75"	11.25"	1,311	1,888	2,951	4,249	5,246	8,196	11,803
12"	25"	14.25"	10.75"	1,253	1,805	2,820	4,060	5,013	7,832	11,278
13"	26"	13.75"	12.25"	1,428	2,056	3,213	4,627	5,712	8,925	12,852

** With Standard Vertical Rim Connection

THE HMT SEAL KING® SEAL DESIGN

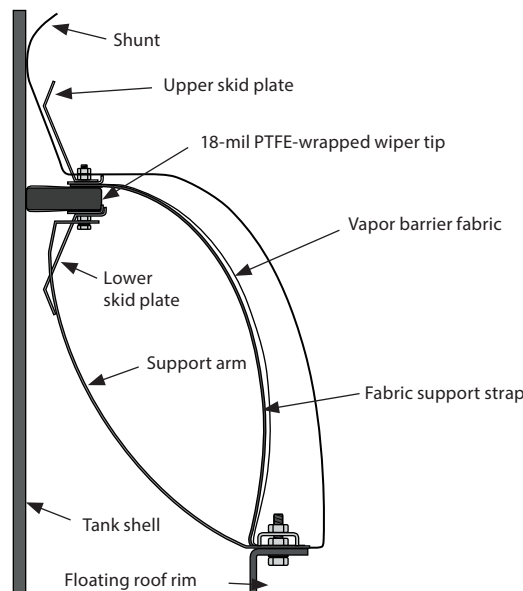
The SEAL KING® allows for extra tank working capacity, flexibility and efficiency. Here's how:

Quality Materials and Construction

The SEAL KING® low-profile secondary seal utilizes a 18-mil cross-hatched PTFE wiper tip for abrasion-resistance and maximum durability. We offer a variety of fabric choices for the vapor barrier, depending on your service requirements. Our fabrics are unsurpassed in terms of durability, permeability and service life. HDPE fabric-support straps support the SEAL KING®'s vapor barrier, maintaining excellent water-shedding capability.

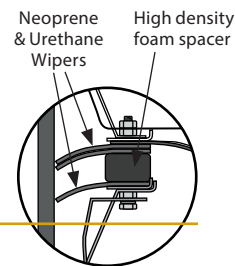
All materials are compatible with any product normally stored in floating roof tanks, including benzene, naphtha, methanol, toluene, ETBE, TAME and MTBE. The SEAL KING®'s advanced materials provide exceptional service life.

The SEAL KING® is designed for excellent range through the use of stainless steel support arms which maintain constant and continuous sealing pressure and retain excellent long-term spring properties so the seal won't gap, regardless of variations in rim space and imperfections of the shell.



SCAQMD Category A Multiple Wiper Tip

Used with the multiple wiper tip option, the SEAL KING® qualifies as Category "A" by SCAQMD as most effective in the control of volatile organic compounds (VOCs) and is deemed Best Available Control Technology (BACT) for use in So. California applications.



ABOUT HMT

HMT is the global leader in aboveground storage tank solutions. HMT provides advanced solutions to reduce emissions, optimize tank capacity, reduce stranded inventory and engineer a tank system that exceeds safety standards and extends maintenance intervals.

HMT's full suite of tank products includes: Internal/External Seal Systems - Internal/External Floating Roofs - Drain and Floating Suction Systems - Aluminum Domes - Emissions Reduction Devices.

HMT's quality services include: Tank Repair & Maintenance - Floating Roof & Seal Repair/Replacement - Installation Services - Fabrication Services - Project Management/Turnkey - Inspection, Calibration, Verticality & Roundness Studies - New Tank Construction - Painting, Coating & Lining - Engineering Services.

HMT LLC | 19241 David Memorial Dr., Suite 150, The Woodlands, Texas 77385

Ph: +1.281.681.7000 | Fax: +1.281.419.7689 | Locations worldwide

www.hmttank.com

SEAL KING® is a registered trademark of HMT LLC.
©2017 HMT. Confidential material. All rights reserved.

