



GAUGE POLE FLOAT BASIN



Designed to be a Gauger's "best friend" by eliminating product spills on the gauger platform!

HMT's Gauge Pole Float Basin not only provides the Gauger a place to set the float while taking samples or level readings, it also provides a place to set sample bottles and gauge tape.

Fabricated with stainless steel material, the basin is easily attached to the top of the gauge pole utilizing only four bolts and a gasket. A convenient, lightweight, gasketed, lift-top cover replaces the traditional gauge hatch.

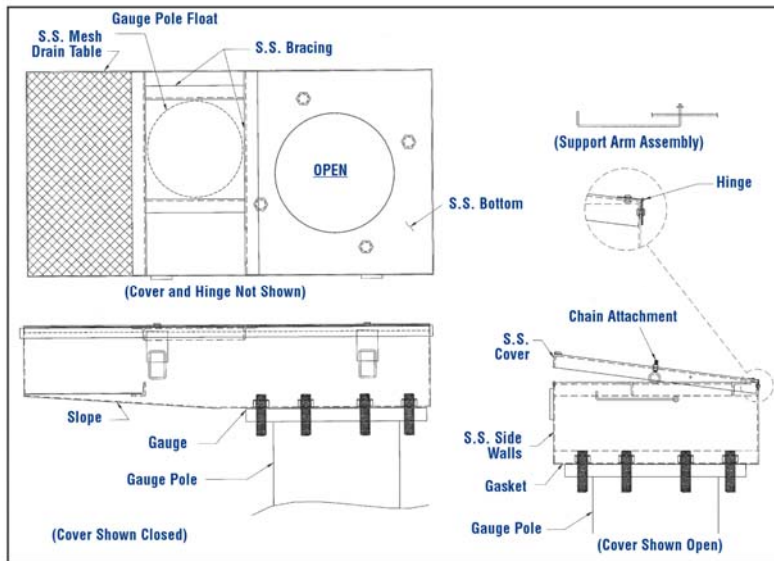
HMT's Gauge Pole Float Basin is designed with a slope that allows the residual product from the float and chain to drain back into the gauge pole. Environmental contamination and safety hazards are eliminated when product spills on the gauge platform are eliminated.

HMT's Gauge Pole Float Basin is another product that demonstrates HMT's "Innovative Solutions" philosophy and our commitment to provide quality products to the petroleum industry.

Contact your local HMT Representative to discuss the full suite of products and services that will satisfy all your AST needs.

The Gauge Pole Float Basin Advanced Design Features Include:

- Designed with an easy to open, gauge cover.
- The cover is gasketed to comply with the most stringent environmental regulations
- Easily installed without removing the tank from service.
- Constructed with lightweight stainless steel.
- Designed to eliminate mess by keeping product off of the gauger's platform.



HMT Inc.
23832 Tomball Parkway
Tomball, Texas 77375
Ph: +1.281.681.7000
Fax: +1.281.351.8589

Locations worldwide to service all your AST needs.
Visit us at www.hmttank.com.